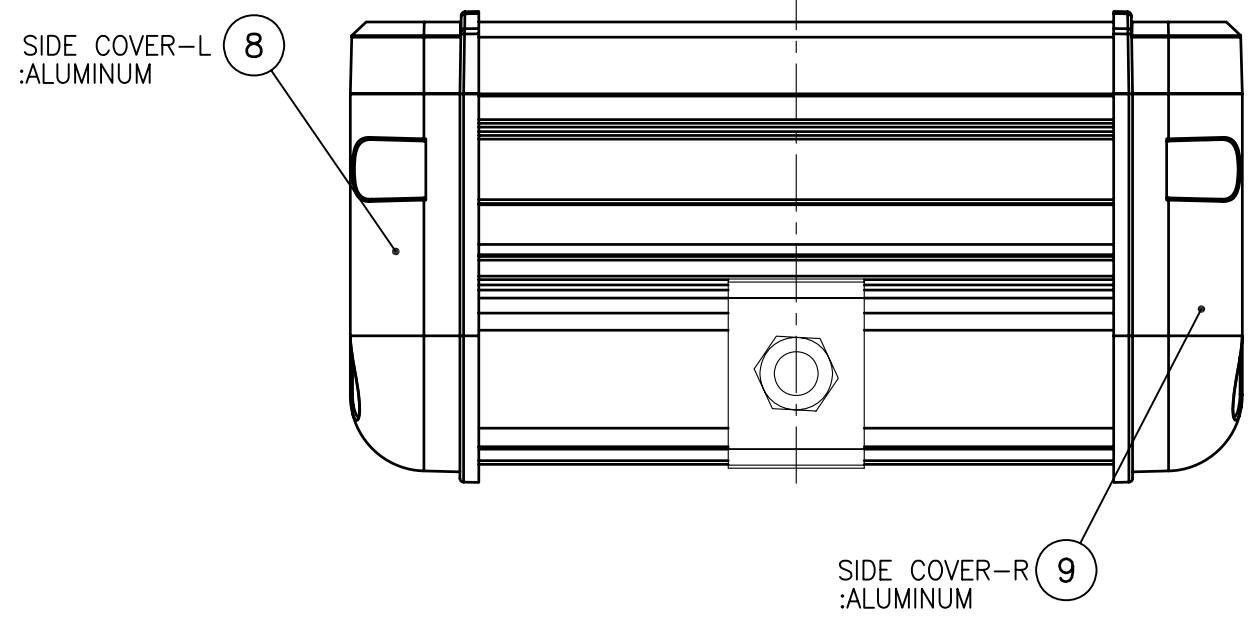
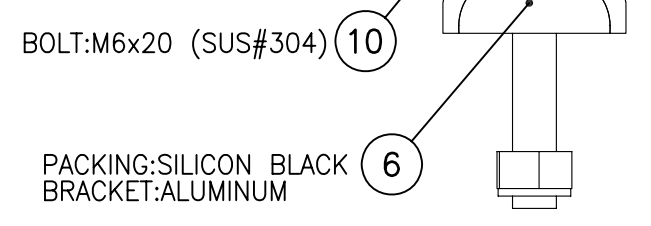
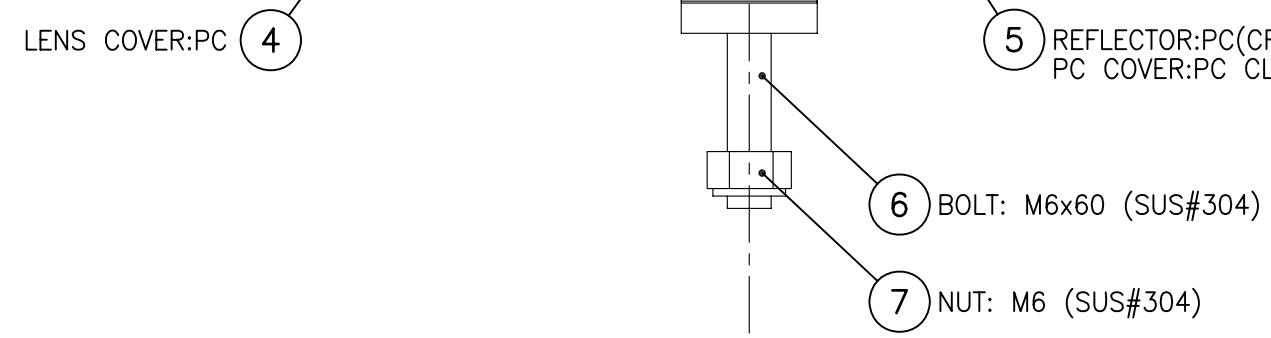
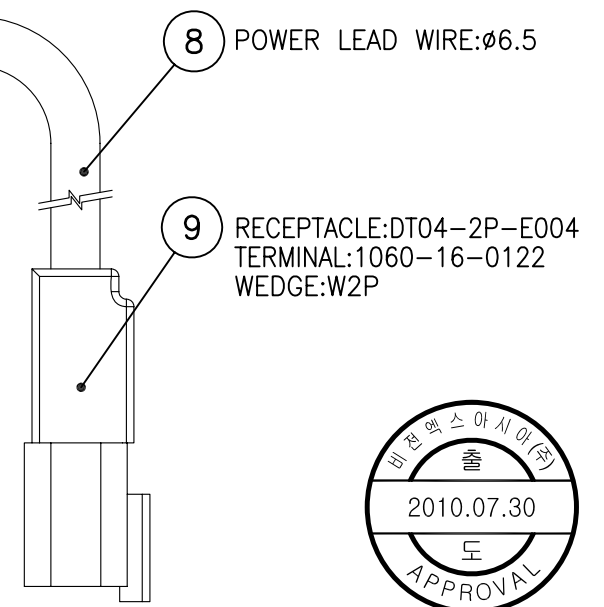
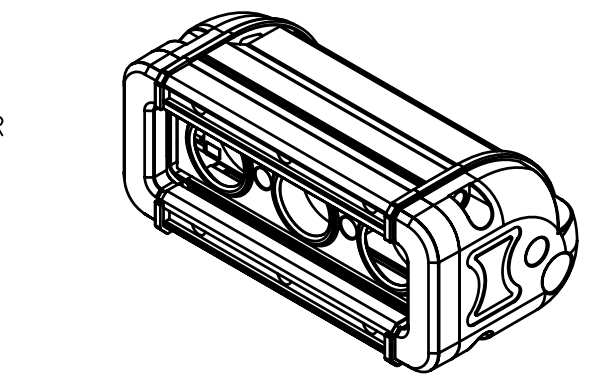
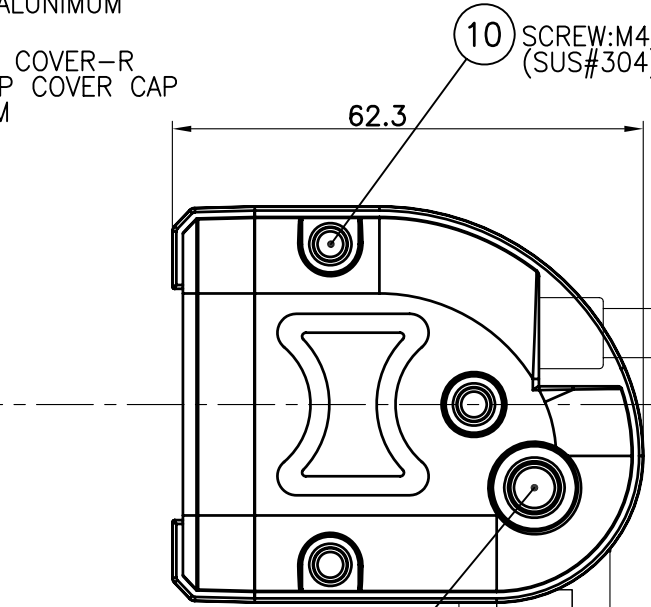
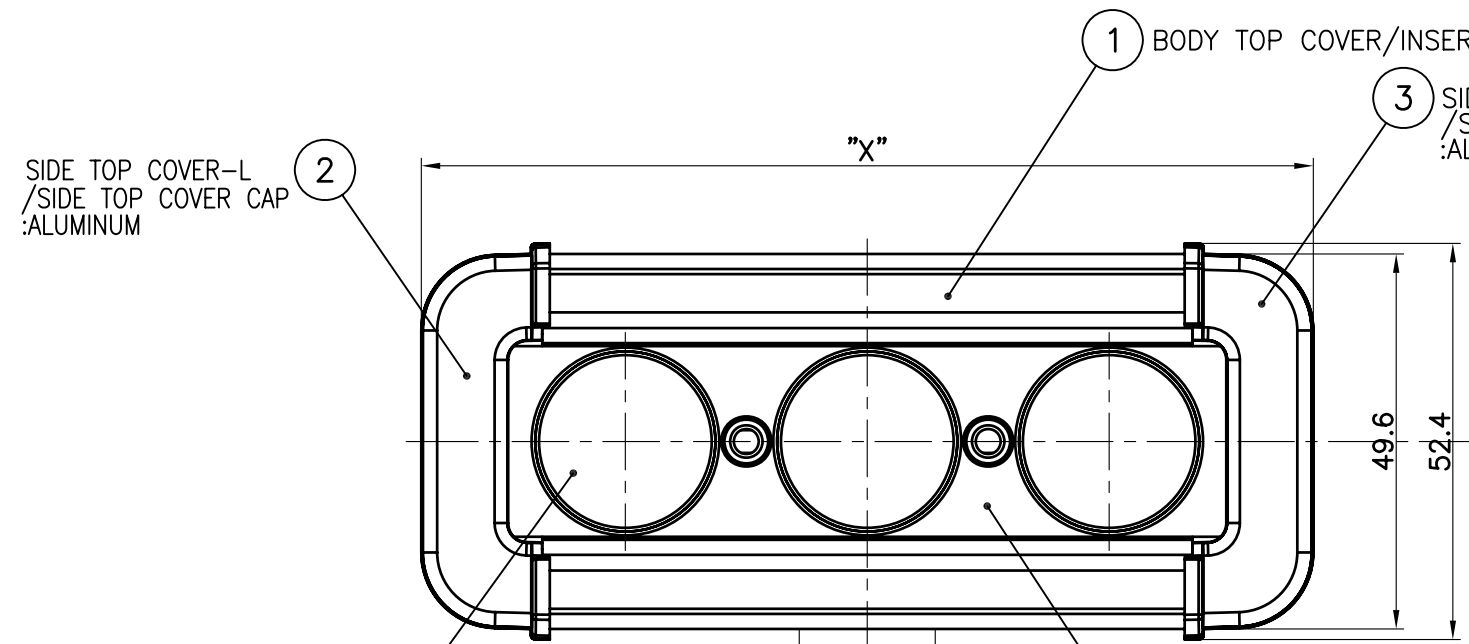


DATE	SIGN	REVISION	REMARKS



[SPECIFICATION]

- 1. OPERATING VOLTAGE : DC 10V ~ 48V
- 2. LED : 3W (CREE)
- 3. LENS : LL01CR-EXXXL-M2(10°, 25°, 40°, 60°)
- 4. VIBRATION : 15.6 (Grms)
- 5. WATER PROOF & DUST RESISTANCE
- 6. TEMPERATURE : -40 °C ~ 80°C
- 7. LIFE : 50,000 (Hr)
- 8. IP RATING : IP68

NO.	LED Q'TY	"X" (inch/mm)	WEIGHTS (Kg)	WATTAGE (W)	LUMEN (LM)	AMPERAGE (A)	REMARKS
1	3LED	4.65" (118)		8.25	512	0.7	
2	6LED	8.43" (214)		16.5	1,023	1.4	
3	9LED	12.21" (310)		24.75	1,535	2.1	
4	12LED	15.99" (406)		33.0	2,046	2.8	
5	15LED	19.77" (502)		41.3	2,558	3.4	
6	18LED	23.55" (598)		49.5	3,069	4.1	
7	21LED	27.33" (694)		57.8	3,581	4.8	
8	24LED	31.11" (790)		66.0	4,092	5.5	
9	27LED	34.89" (886)		74.3	4,604	6.2	
10	30LED	38.67" (982)		82.5	5,115	6.9	
11	33LED	42.44" (1,078)		90.8	5,627	7.6	
12	36LED	46.22" (1,174)		99.0	6,138	8.3	

UNIT	mm	DRAWING	CHECK	APPROVAL	TITLE	LOW PROFILE EXTERNAL VIEW
TOL.	-	C.D.KIM	/			
SCALE	1:1					
DATE	2010.07.29					
VISION X ASIA CO.,LTD.					DRAWING NO.	VX-BD-0000-0