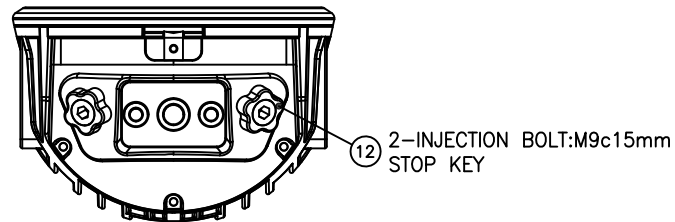
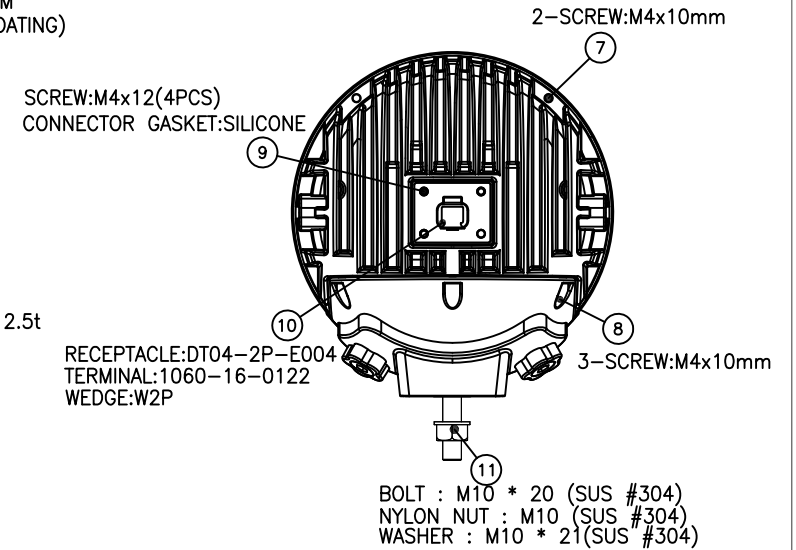
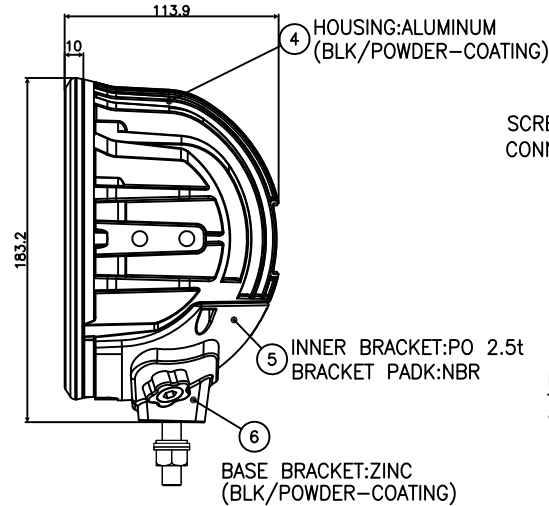
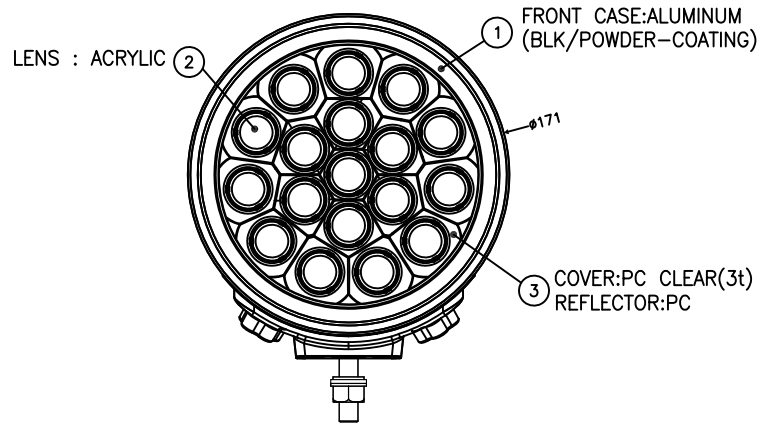
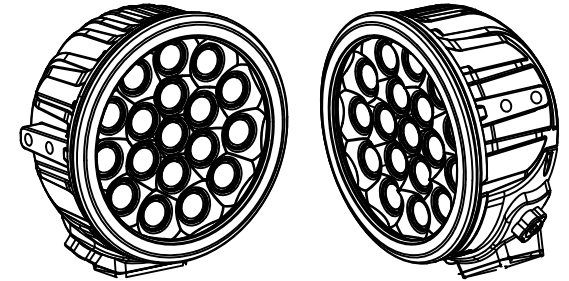
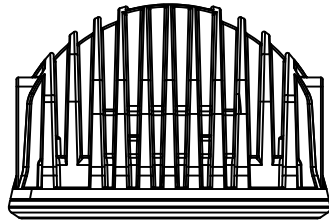


DATE	SIGN	REVISION	REMARKS

[SPECIFICATION]

1. OPERATING VOLTAGE : DC 10/24V (10~ 32V)
2. WATTAGE : 77W/6.3A
3. LED : 4.5W (CREE)
4. LUMEN : 6368(LM)
5. WEIGHT : 2.8(Kg)
6. VIBRATION : 15.6 (Grms)
7. WATER PROOF & DUST RESISTANCE
8. TEMPERATURE : -40 °C ~ 80°C
9. LIFE : 50,000 (Hr)
10. IP RATING : IP68



UNIT	mm	DRAWING	CHECK	APPROVAL	TITLE	DRAWING NO.
TOL.	±0.2	M.J.PARK				
SCALE	1:1					
DATE	2011.11.17	2011.11.17				
VISION X ASIA CO.,LTD.						