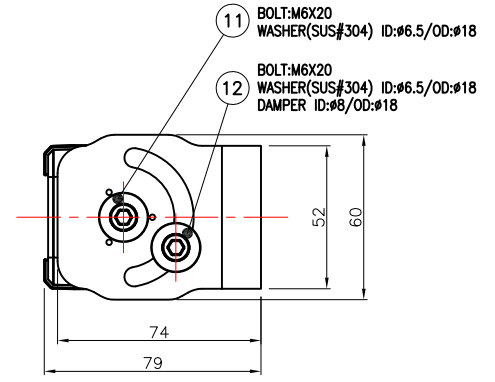
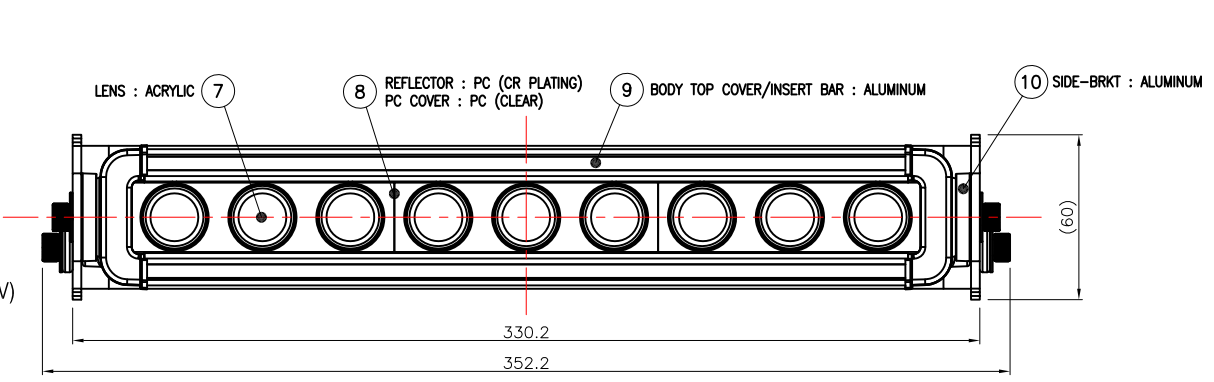
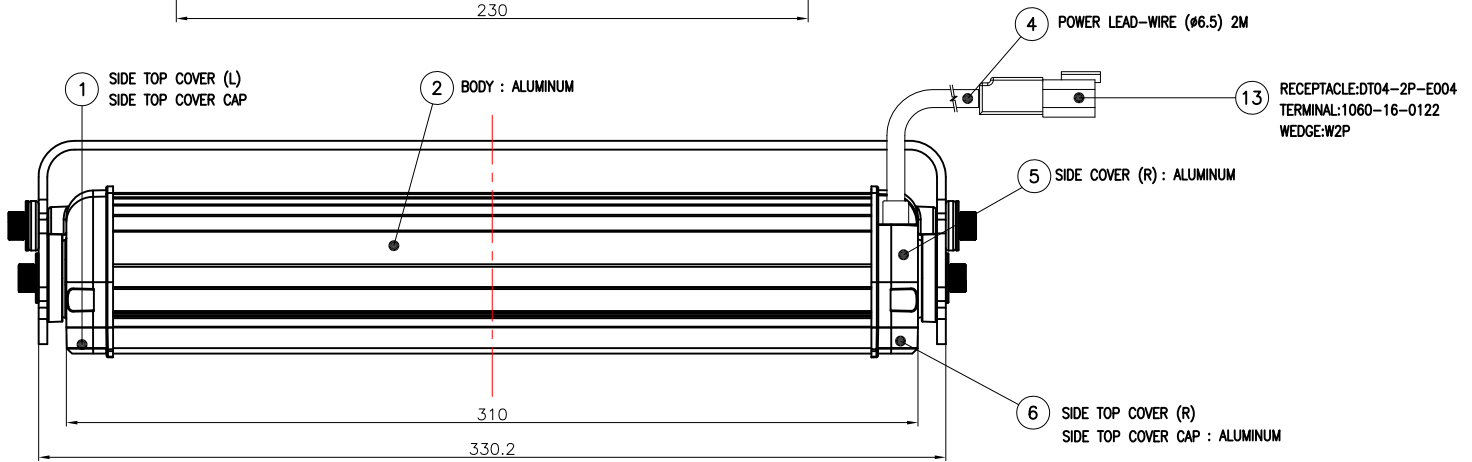
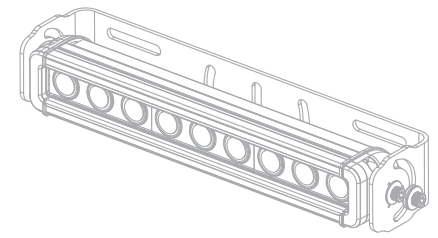
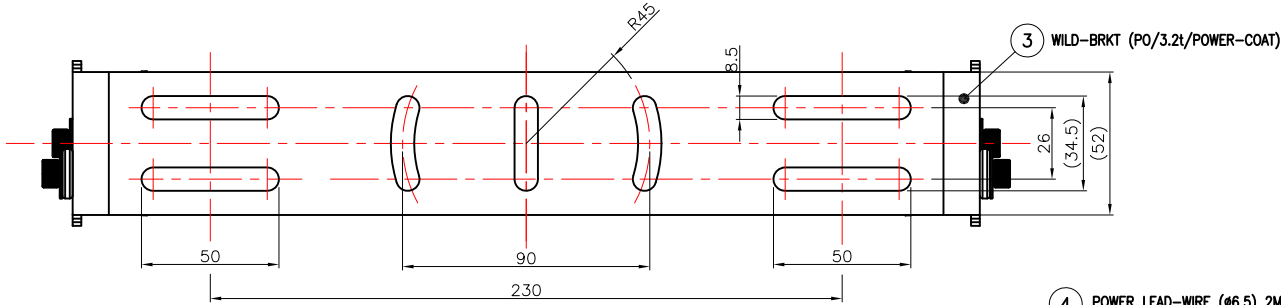


DATE	SIGN	REVISION	REMARKS



[SPECIFICATION]

- 1. OPERATING VOLTAGE : DC 12/24V (9~32V)
- 2. WATTAGE : 42W
- 3. LED : 5W (CREE XPG)
- 4. LUMEN : 3,600(LM)
- 5. LENS : LL01CR-EXXXL-M2(10°,25°,40°,60°)
- 6. WEIGHT : 1.9 (Kg)
- 7. VIBRATION : 15.6 (Grms)
- 8. WATER PROOF & DUST RESISTANCE
- 9. TEMPERATURE : -40 °C ~ 80°C
- 10. LIFE : 50,000 (Hr)
- 11. IP RATING : IP68



UNIT	mm	DRAWING	CHECK	APPROVAL	TITLE
TOL.	-	<b>S.G.PARK</b>	/	/	<b>WILD-PROJECT [LP-9LED] (EXTERNAL VIEW)</b>
SCALE	1:1				
DATE		2011.12.06			DRAWING NO.
<b>VISION X ASIA CO.,LTD.</b>					<b>VX-BD-0000-0</b>